

JAC



J Series counterbalanced
battery forklift

JAC FORKLIFT

CPD13J / CPD16J / CPD18J / CPD20J
CPD25J / CPD30J / CPD35J



JAC HEAVY DUTY IMPORT & EXPORT CO.,LTD

GMM
Move forward



**MATERIAL HANDLING EXPERTS
FROM AUTOMOTIVE QUALITY**



✉ contact@gmm-mg.com
📍 Route du Pape Alarobia (face sanifer)
☎ +261 32 03 111 33 / +261 32 03 111 34 / +261 32 03 111 36

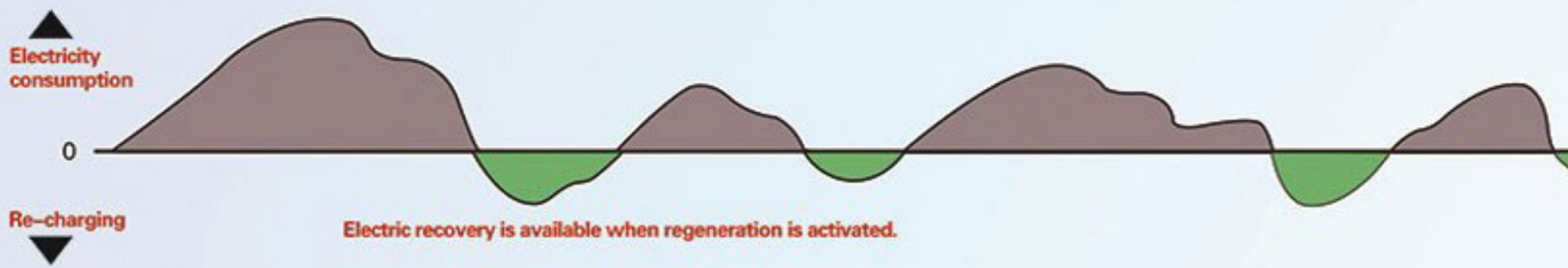


Move forward

Excellent operating performance

◆ Regeneration of battery

Electricity is collected to battery during braking,deacceleration and steering to prolong functioning period of battery.



◆ Speed regulation and inching of lifting

The system is sensitive to displacement of valve rod for saving energy and precise stacking so as to prolong operation hours of battery.

◆ Automatic power off

The machine will be powered off in case it has been in neutral gear for over 5 seconds so as to save energy.

◆ Strengthened frame with low gravity center

Integrated and strengthened frame featuring improved carrying capacity.It is a frame with 4 supports designed for counterbalanced battery forklift(patent number:201220133447.2)

◆ Load-sensitive hydraulic system

Lifting speed is improved by 5%.

◆ Three-gear drive mode

Fast/intermediate/slow speed gears are available for operation in different conditions and for different distance.



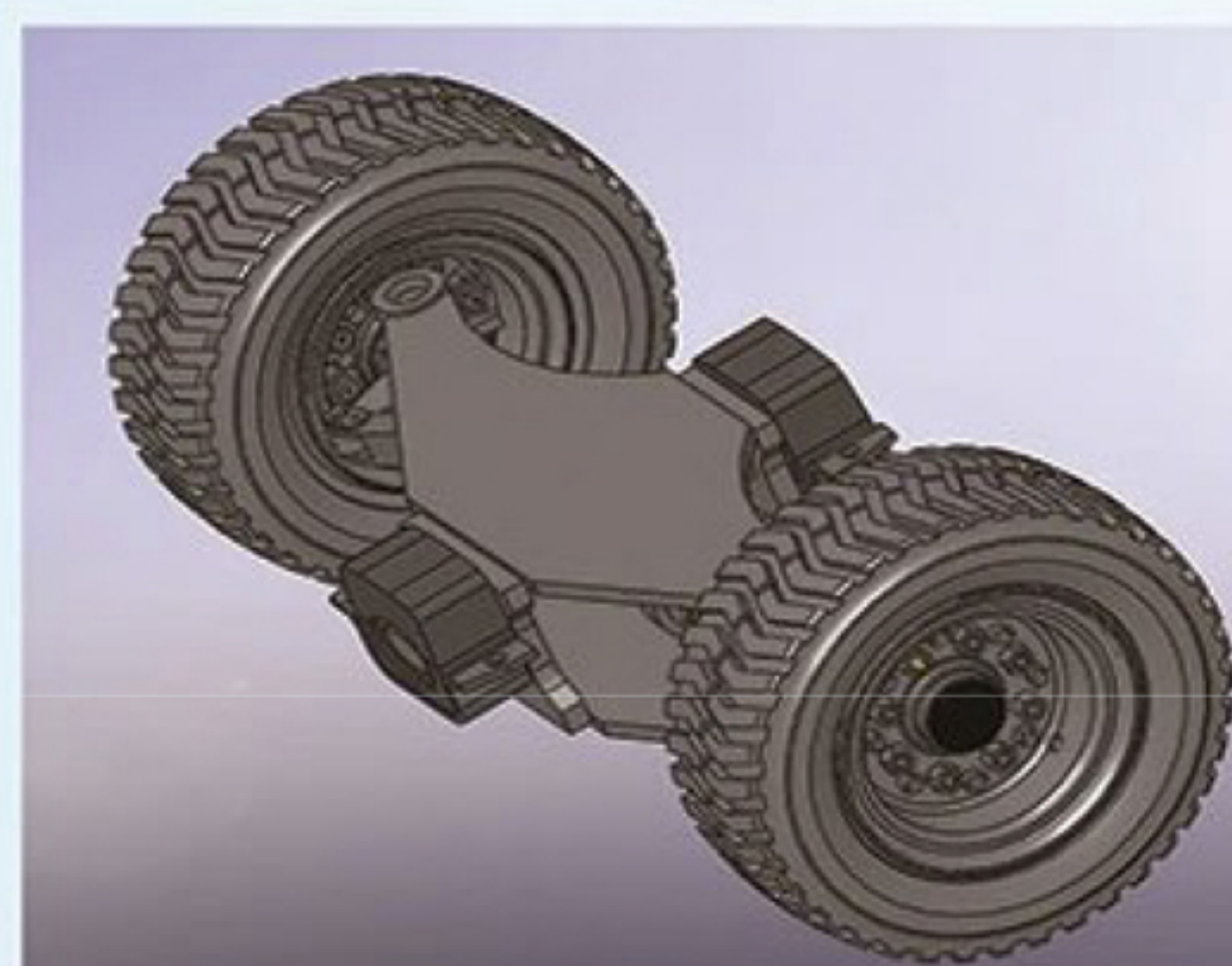
Driving confortablilit

◆ Shock absorption connecting steering bridge

Shock sbsorption steering axle reduces shocks while the machine is moving.

◆ Floating seat

The seat can be adjusted forward or backward and the back rest is also adjustalbe;
Shock absorption spring can be adjusted according to weight of oprator.



contact@gmm-mg.com
Route du Pape Alarobia (face sanifer)
+261 32 03 111 33 / +261 32 03 111 34 / +261 32 03 111 36



Move forward

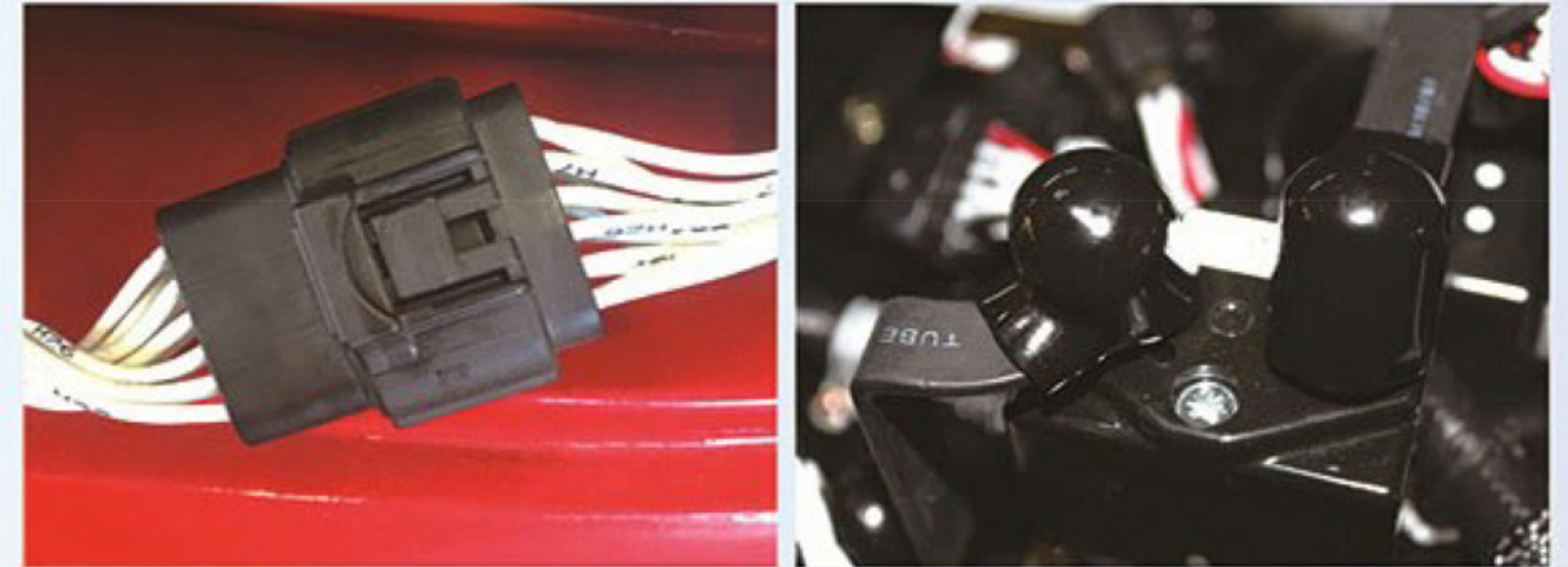
High safety and Reliability

◆ Water-proof

The imported water-proof connectors are more reliable

◆ Delayed power -off-The first in China

The machine will be powered off in case the machine has been powered on but not is use for at least 10 minutes, which is safe and energy-saving.

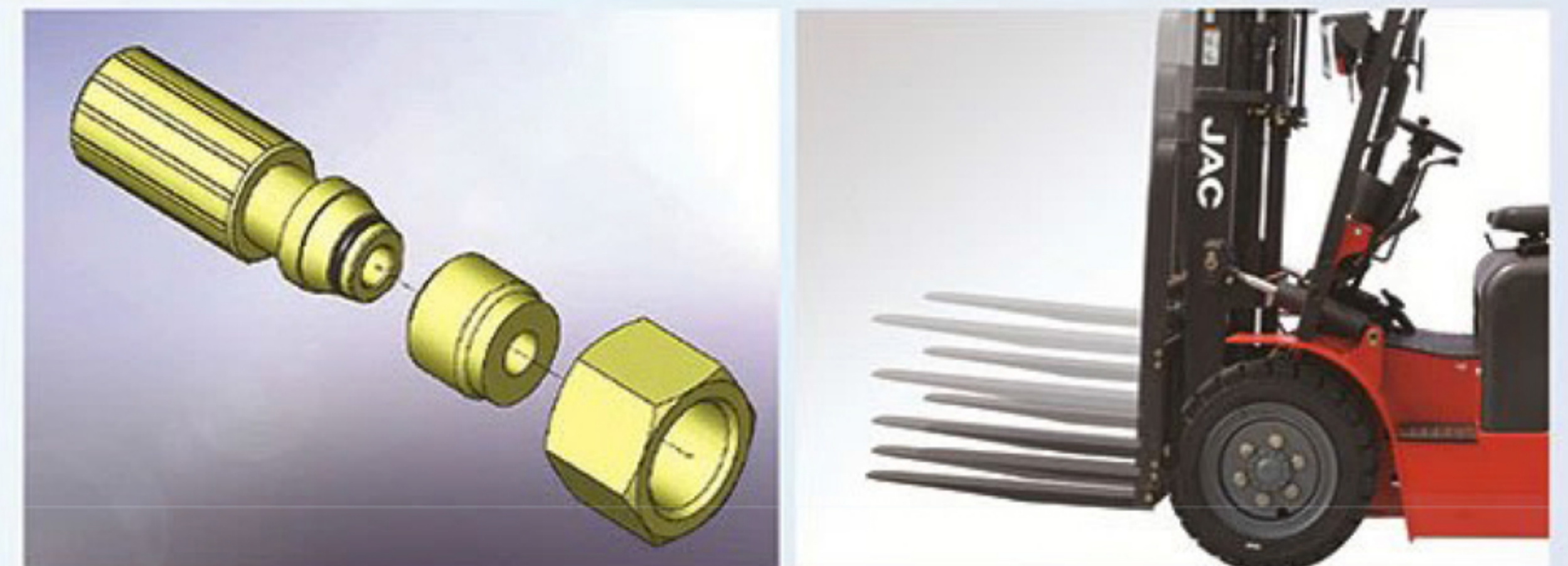


◆ 24° cone+Oring

The hydraulic system adopts the most advanced sealing.

◆ Buffer when descending

The forklift provides buffer when the loading is descending for safer and smoother operation.



◆ Neutral safety system

The neutral safety system eliminates accidents caused by unintended start of engine.

Convenient maintenance

◆ Readable Instruments

LED instruments clearly display operation conditions of forklift.

◆ The hood can be lifted to 80° for easy maintenance

◆ Lifting motor is located in the rear

◆ Controller is located in the rear



✉ contact@gmm-mg.com
📍 Route du Pape Alarobia (face sanifer)
☎ +261 32 03 111 33 / +261 32 03 111 34 / +261 32 03 111 36



Move forward

SPECIFICATIONS

Model			CPD13J	CPD16J	CPD18J	CPD20J	CPD25J	CPD30J	CPD35J
1	Power Type		Battery	Battery	Battery	Battery	Battery	Battery	Battery
2	Load Capacity	kg	1300	1600	1800	2000	2500	3000	3500
3	Load center	mm	500	500	500	500	500	500	500
4	Lift height	mm	3000	3000	3000	3000	3000	3000	3000
5	Free lift height	mm	120	120	120	155	155	160	70
6	Fork size	L*W*H	920 × 100 × 40			1070 × 122 × 40		1070 × 125 × 45	1070 × 125 × 50
7	Mast tilt	FR/RR	6/10	6/10	6/10	6/12	6/12	6/12	6/12
8	Min turning Radius	mm	1990	2030	2030	2200	2200	2497	2520
9	Min Right angle stacking aisle width	mm	3397	3437	3437	3865	3865	4178	4204
10	Min right angle aisle width	mm	2190	2230	2230	2400	2400	2703	2720
11	Min ground clearance	mm	93			110	110	120	120
12	Height of overhead guard	mm	2132	2132	2132	2172	2172	2180	2180
13	Height of seat to overhead guard	mm	1020	1020	1020	990	990	980	980
14	Overhang	mm	407	407	407	466	466	474	492
15	Max driving speed	Full load	km/h	12	12	12	12	12	12
16	Max Lifting speed	Full load	mm/s	260	300	260	300	260	260
17	Gradeability	%	15	15	15	15	15	15	15
18	Overall length	Without forks	mm	2158	2220	2220	2435	2435	2585
19	Over width		mm	1072	1072	1072	1163	1163	1250
20	Height mast lifted(with backrest)		mm	3930	3930	3930	4030	4030	4228
21	Height mast lowered		mm	1990	1990	1990	1995	1995	2065
22	Tyre	Front	6.00-9-10PR			7.00-12-12PR		28 × 9-15-14PR	28 × 9-15
23		Rear	5.00-8-10PR			18 × 7-8-14PR		6.50-10-10PR	
24	Wheelbase	mm	1370	1370	1370	1520	1520	1700	1700
25	Tread	FR/RR	mm	894/920	894/920	894/920	973/960	973/960	1000/990
26	Self weight	Without load	kg	2840	3000	3120	3850	4190	4960
27	Battery	Voltage/capacity	V/Ah	48/400	48/400	48/500	48/600	48/630	80/500
28	motor	Driving	KW	8	8	8	11.1	11.1	16.6
29		lifting	KW	7.5	10	7.5	10	8.6	12
30	Way of Control		BC	AC	BC	AC	BC	AC	BC
31	Working pressure	Mpa	15.5	15.5	15.5	18.5	18.5	18.5	18.5
32	Drawbar pull	KN	13	13	13	17	17	21	21

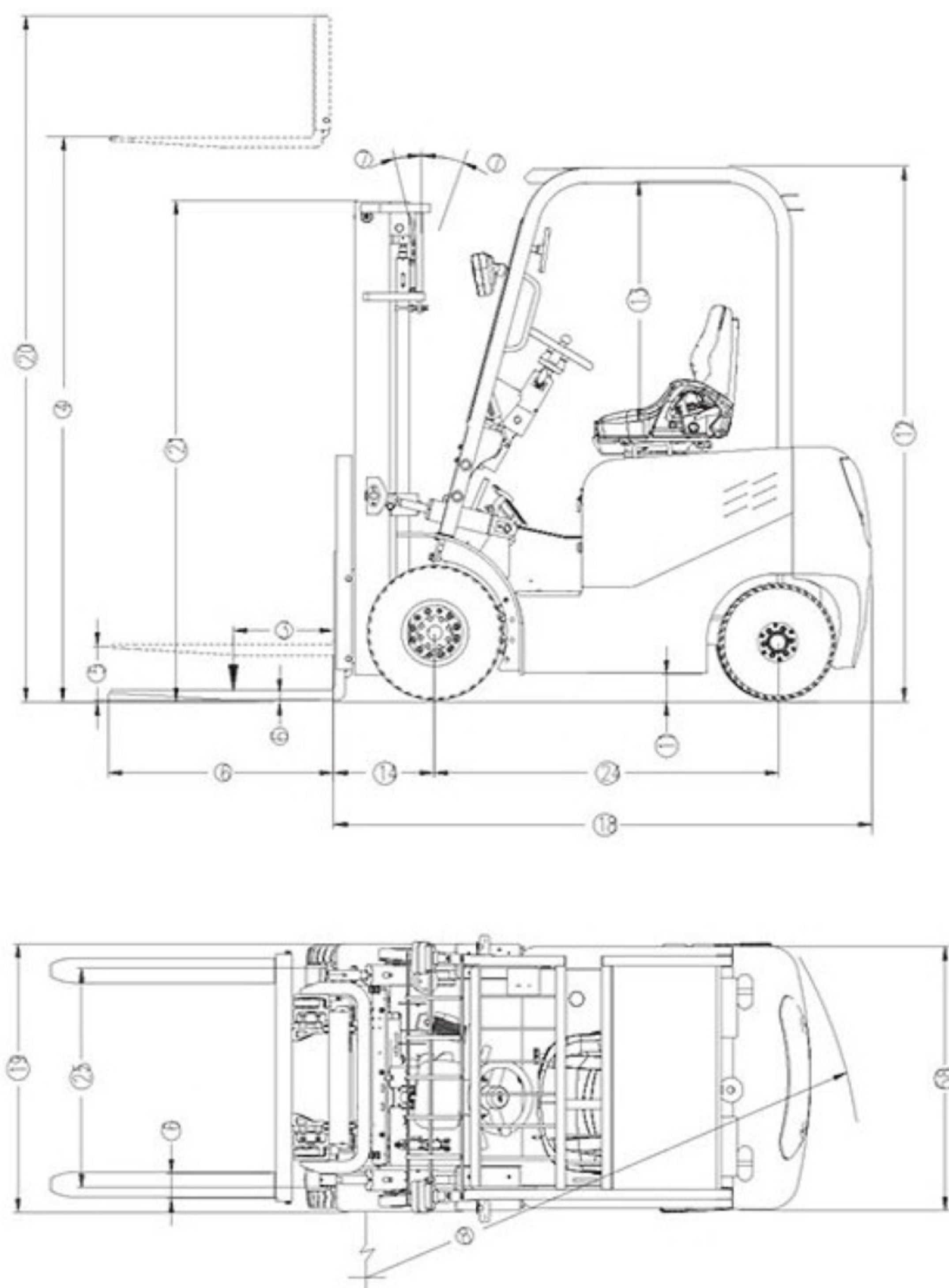
ENGINE TYPE SELECTION AND PARAMETERS

Forklift model	Battery size mm (L×W×H)	Battery capacity (Ah)
CPD13/16J	965 × 455 × 705	400
CPD18J	965 × 455 × 705	500
CPD13/16J/18J	965 × 455 × 705	390
	965 × 455 × 705	470
	965 × 455 × 705	550
	965 × 455 × 705	600
CPD20J	1028 × 525 × 780	600
CPD25J	1028 × 525 × 780	630
CPD20/50J	1028 × 525 × 780	700
	1028 × 525 × 780	770
CPD30J	1141 × 612 × 805	500
CPD35J	1141 × 612 × 805	550
CPD30/35J	1141 × 612 × 805	560
	1141 × 612 × 805	600
	1141 × 612 × 805	650

CHARGER MODEL

Charger Model	Electric power		Connector model	Forklift model
	Voltage	Frequency		
48V60A	400V	50HZ	REMA160	CPD13/16J
48V70A	400V	50HZ	REMA160	CPD18J
48V80A	400V	50HZ	REMA320	CPD20/25J
80V70A	400V	50HZ	REMA320	CPD30/35J

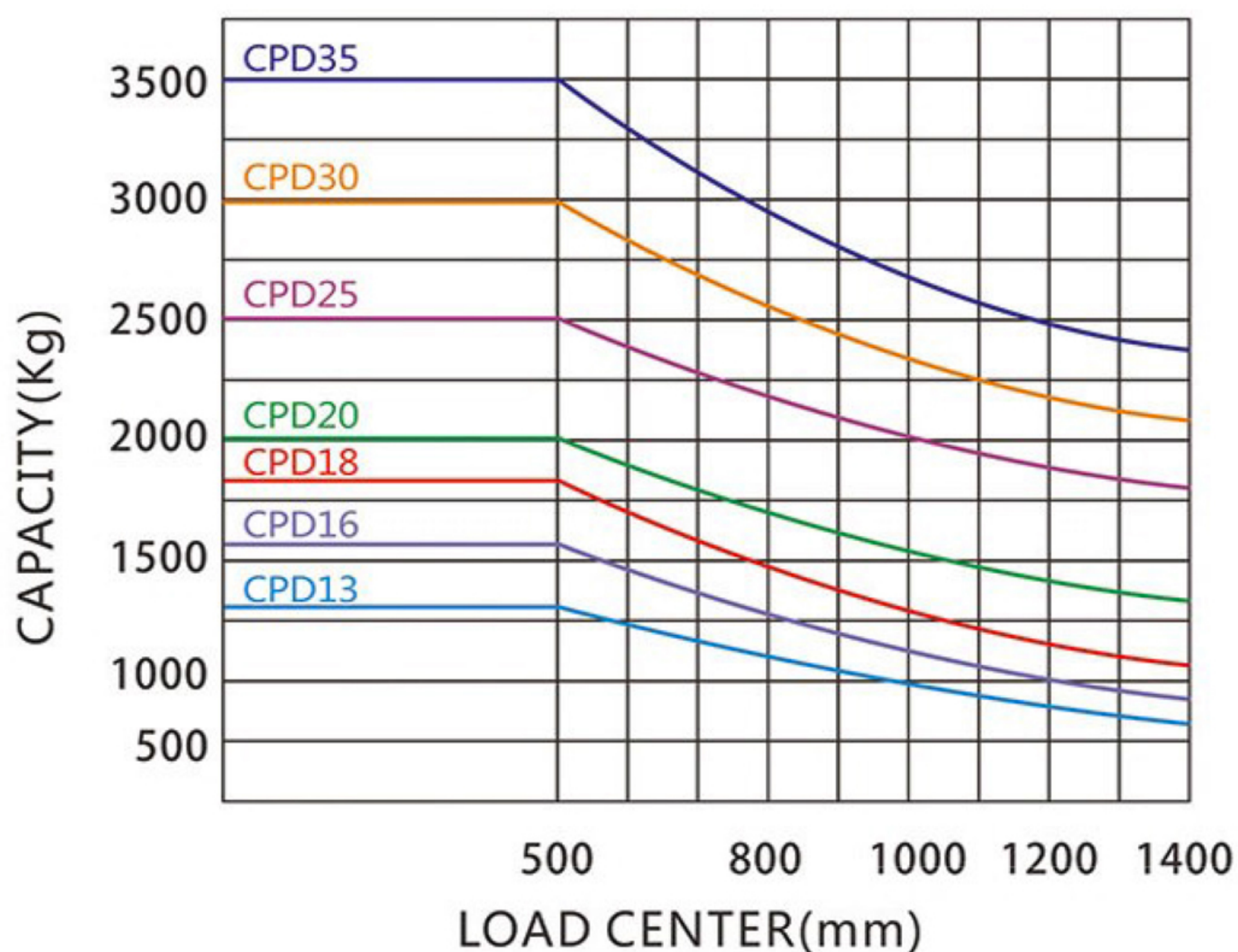
DIMENSIONAL DRAWING



STANDARD & OPTIONS EQUIPME

System	Standard Equipment	Optional equipment
Electric system	ZAPI(Inmotion) controller	Curtis controller
	charger	Imported battery
	Combination meter	Alarming light
	Combination switch	Fan
	lifting speed regulator	heater
	Front headlight	LED Front headlight
	LED Tail light	Auto fluid-infusion battery
	USB charger	LED tail light
	Reverse buzzer	Voice reverse buzzer
Lifting system	wide-view mast	Duplex Full free mast
	Lowering buffer	Triplex Full free mast
		hinged fork
		Paper roll Clamp
		Extended fork
		fork shoes
		side shifter
		Carpet boom
		Bale Clamp
		Pull/push attachment
		Rotating attachment
		Special attachment
	Drive,transmission and steering system	Pneumatic tyre
		Environmental-friendly solid tyre
General	tool kits	
Overhead guard	Rear view	Three-cross&five-vertical protection net
	Front/Rear Lamp shade	Wingshield
		Cabin
		Non-standard overhead guard
Hydraulic system	2 spools	3 spools
		4 spools
Brake system	Service brake	
	Parking brake	
hood & bottom-plate	Floating seat	Safety belt
	Cup set	Seat belt system alarm
	Paper folder	

LOAD CAPACITY



Note: the vertical axis represents the CAPACITY and the horizontal axis represents the LOAD CENTER. The calculation of LOAD CENTER starts with the frontage of fork. The basic point of standard load refers to the center of a cube with load side 1000mm long. The CAPACITY will drop if the mast tilts forwards, a non-standard fork is adopted or the load width is excessive. The CAPACITY at the LOAD CENTER could be timely learnt of through the load curve.

